



Acme Sanitary Ware Co Ltd

Acme Building, 22-28 Nanking Street, Kowloon, Hong Kong
Tel: 2388 7171 Fax: 2710 8012
E-mail: acme@acmesanitary.com.hk
Website: www.acmesanitaryware.com.hk



Pure Freude
an Wasser

PROJECT		REF		REV	ITEM CODE	
LOCATION		DATE			PAGE	

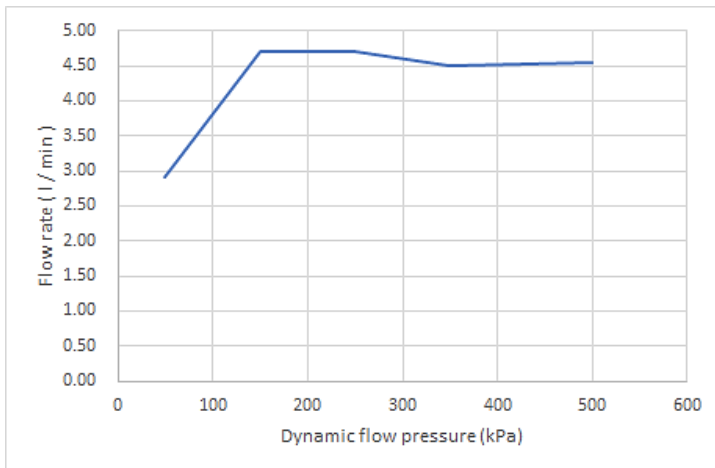
SANITARY WARE SPECIFICATION SHEET

Item Descriptions	GROHE (Germany) "BauEdge" Single-lever basin mixer XL-Size; nominated flow rate 4.6 L/min in WELS Grade 1; Registration No. TM 18-0164
Dimensions	W34 x D107 x H340 mm
Model	23761000
Finish	Chrome Plated
Manufacturer	GROHE Limited
Supplier	Acme Sanitary Ware Co. Ltd Mr. Eric Wong/ Mr. Don Yuen
Contact Tel/Fax	(852) 2388-7171 / (852) 2710-8012
E-mail	acme@acmesanitary.com.hk
Website	www.acmesanitary.com.hk

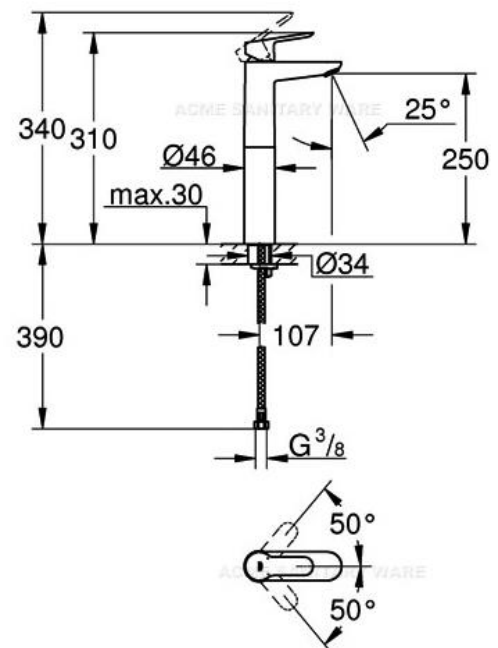
Illustration/ Drawing



- single hole installation
- for free-standing basins
- metal lever
- smooth body
- flexible connection hoses
- **GROHE Longlife** 28 mm ceramic cartridge
- **GROHE StarLight** chrome finish
- **GROHE EcoJoy** mousseur 5.7 l/min
- rapid installation system



Dynamic flow pressure (kPa)	50	150	250	350	500
Flow rate (l/min)	2.90	4.70	4.70	4.50	4.55



Note:

* All information of the above is for the reference only. No prior notice is made if any changes.

註冊號碼 (Registration No.): TM 18-0164



自願參與用水效益標籤計劃 - 水龍頭
Voluntary Water Efficiency Labelling Scheme - Water Taps



茲證明
This is to certify that

將下列水龍頭在本計劃內註冊：
has registered the following water tap under this scheme :

牌子 / Brand	:	GROHE
型號 / Model	:	23761000
種類 / Type	:	Mixing
原產地 / Country or Region Origin	:	China

在用水效益標籤上展示的標誌 <i>Symbolic Presentation on the Water Efficiency Label</i>	:		滴水點 <i>Water droplet(s)</i>
用水效益級別 <i>Water Efficiency Grade</i>	:	1	
耗水量 <i>Water Consumption</i>	:	4.6	公升/分鐘 <i>litres/minute</i>

簽發日期：
Date of Issue: 6 July 2018

水務署
Water Supplies Department



水務署署長(周世威代行)
for Director of Water Supplies



Department

香港灣仔告士打道七號入境事務大樓
Immigration Tower, 7 Gloucester Road, Hong Kong

電子郵遞
e-mail wsdinfo@wsd.gov.hk

圖文傳真
Facsimile 2824 0578

檔號
Reference (5) in WSD 3321/18 Pt.1 T/J(172)

16 April 2018



Approval of "GROHE" Basin Mixer

Your letters ref. WRC/1613 dated 8 February 2018 and ref. C-WSD/0337 dated 21 March 2018 refer.

Having considered the test report ref. J22182Ar1 issued on 7 March 2018 by Nutek Systems (HK) Ltd., this Authority accepts that the fitting described below complies with, and its use when correctly installed does not contravene, the Waterworks Ordinance and Regulations.

Name of Manufacturer: Grohe AG

Country of Origin: China

Brand: Grohe

Details of Fitting: 3/8" Single lever basin mixer supplied with one pair of stainless steel wire braided water inlet flexible hose (manufactured by Neoperl GmbH. Model: Neoflex SPX DN6 G3/8") approved by UK's WRAS under ref. 1506306

Model: 23761000

Body Markings:



Expiry Date: 8 October 2022 (for mixer)
30 June 2020 (for hose)

This Authority hereby permits the use of the above fitting in fresh water plumbing systems subject to full adherence to Waterworks installation requirements. In particular, you are required to draw your customers' attention to the following requirement-

"The cold water supply to the fitting shall be drawn from the same source that supplies the hot water apparatus so as to provide a balanced pressure and to obviate the risk of scalding in the event of a restriction or failure in the water supply."

A condition of this acceptance is that the fitting to be installed shall be replicas of the sample as certified by the testing agent mentioned above and without modifications. This acceptance may be withdrawn at any time if the standard of the fitting installed fails to meet that of the approved sample or if the fitting is found to be unsuitable for use in fresh water plumbing systems.

This acceptance is only applicable to the main body of the fitting, unless other specified.

For the use of the fitting in any project, the Acceptance Reference Number at the bottom of this letter must be quoted as a means of identification of acceptance of the fitting by this Authority.

Should you have any enquiries, please contact our Engineer Mr. Terry KUNG at tel. no. 3583 4086.

Yours faithfully,

A handwritten signature in black ink, appearing to read "Chan Chung Kun".

(CHAN Chung Kun)
for Water Authority

c.c. WSD 3321/1/82] - without catalogue
ME/MC] - with soft copy only